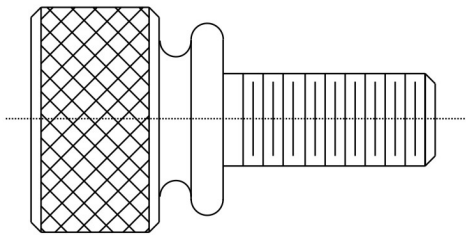
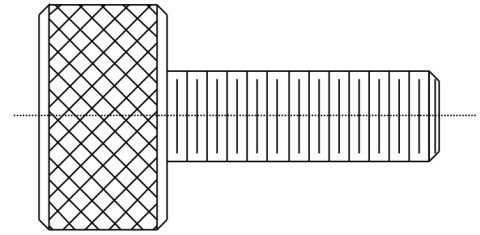


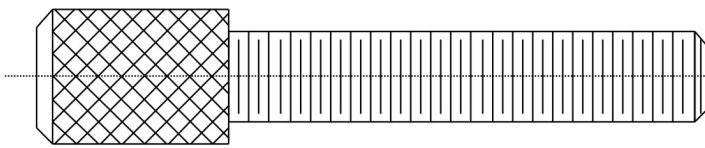
WASHER FACE THUMB SCREWS (WFTS)



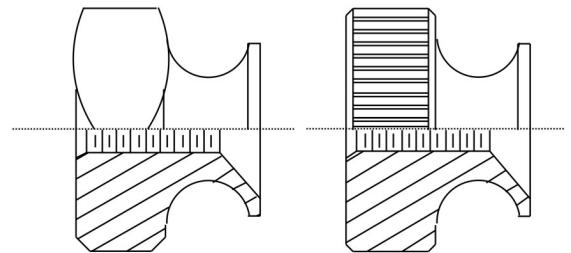
PLAIN THUMB SCREWS (PTS)



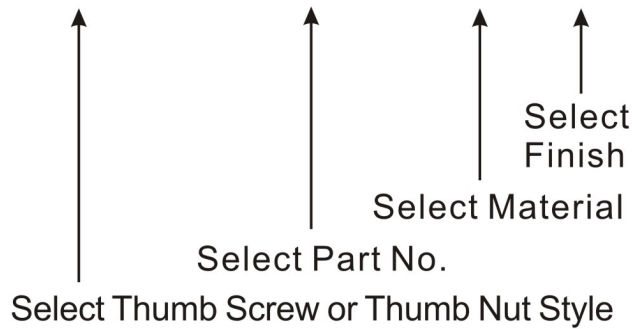
PUSH TYPE THUMB SCREWS (PTTs)



THUMB NUTS (TN)



WFTS - 44001 - B - S1



Material Description	Code
Aluminum	A
Brass	B
Carbon Steel	S
300 Series Stainless Steel	SS

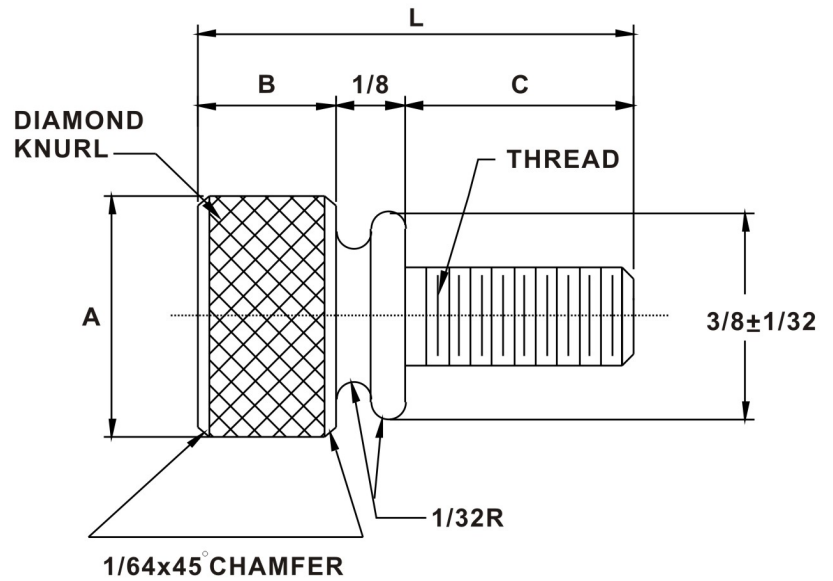
How to order Thumb Screw or Thumb Nut

Thumb Screw & Thumb Nut	Code
Washer Face Thumb Screws	WFTS
Plain Thumb Screws	PTS
Push Type Thumb Screws	PTTS
Thumb Nuts (Round)	TN-R
Thumb Nuts (Hex)	TN-H

Finish Description	Code
Nickel Plated	S1
Chrome Plated	S2
Satin Chrome	S6
Zinc Plated	S10
Zinc Yellow Chromate	S11
Black Oxide	S22
Black Zinc	S23
Tin Plated	S24
No Finish	S14
Passivate	SB5
Anodize Clear	SA1
Glossy Anodize Clear	SA2
Anodize Black	SA3
Glossy Anodize Black	SA4
Clear Iridite	SA5

WASHER FACE THUMB SCREW

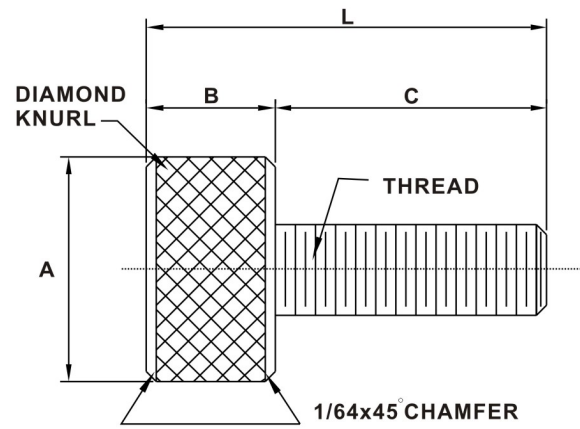
American Standard



Part No.	Thread Size	A	B	C	L
		+ .020 - .000	+ .015 - .015	+ .010 - .010	+ .015 - .015
WFTS-44001	4-40	3/8	3/16	5/16	5/8
WFTS-44002	4-40	3/8	3/16	3/8	11/16
WFTS-44003	4-40	3/8	3/16	7/16	3/4
WFTS-63201	6-32	3/8	3/16	3/8	11/16
WFTS-63202	6-32	3/8	3/16	7/16	3/4
WFTS-63203	6-32	3/8	3/16	1/2	13/16
WFTS-83201	8-32	7/16	3/16	3/8	11/16
WFTS-83202	8-32	7/16	3/16	1/2	13/16
WFTS-83203	8-32	7/16	3/16	5/8	15/16
WFTS-103201	10-32	7/16	3/16	3/8	11/16
WFTS-103202	10-32	7/16	3/16	1/2	13/16
WFTS-103203	10-32	7/16	3/16	5/8	15/16
WFTS-142001	1/4-20	1/2	1/4	3/8	3/4
WFTS-142002	1/4-20	1/2	1/4	1/2	7/8
WFTS-142003	1/4-20	1/2	1/4	5/8	1
WFTS-142004	1/4-20	1/2	1/4	3/4	1 1/8

PLAIN THUMB SCREWS

American Standard

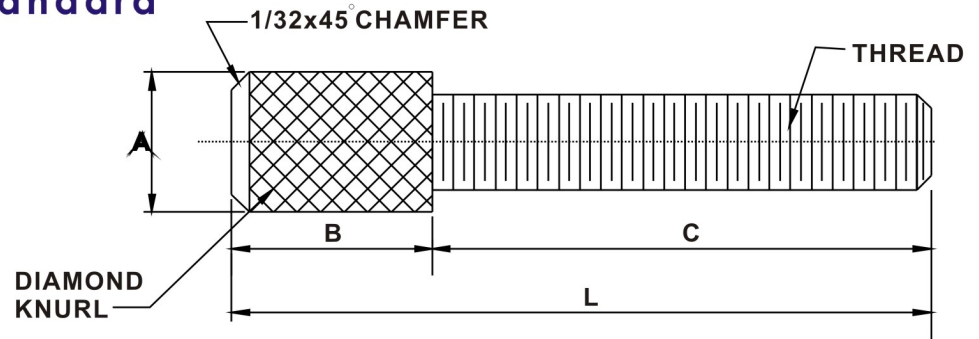


Part No.	Thread Size	A	B	C	L
		+ .020 - .000	+ .015 - .015	+ .010 - .010	+ .015 - .015
PTS-44001	4-40	5/16	3/16	5/16	1/2
PTS-44002	4-40	5/16	3/16	3/8	9/16
PTS-44003	4-40	5/16	3/16	7/16	5/8
PTS-44004	4-40	5/16	3/16	1/2	11/16
PTS-63201	6-32	5/16	3/16	5/16	1/2
PTS-63202	6-32	5/16	3/16	3/8	9/16
PTS-63203	6-32	5/16	3/16	7/16	5/8
PTS-63204	6-32	5/16	3/16	1/2	11/16
PTS-83201	8-32	3/8	3/16	3/8	9/16
PTS-83202	8-32	3/8	3/16	7/16	5/8
PTS-83203	8-32	3/8	3/16	1/2	11/16
PTS-83204	8-32	3/8	3/16	9/16	3/4
PTS-83205	8-32	3/8	3/16	5/8	13/16
PTS-103201	10-32	7/16	3/16	3/8	9/16
PTS-103202	10-32	7/16	3/16	7/16	5/8
PTS-103203	10-32	7/16	3/16	1/2	11/16
PTS-103204	10-32	7/16	3/16	9/16	3/4
PTS-103205	10-32	7/16	3/16	5/8	13/16
PTS-142001	1/4-20	1/2	1/4	1/2	3/4
PTS-142002	1/4-20	1/2	1/4	9/16	13/16
PTS-142003	1/4-20	1/2	1/4	5/8	7/8
PTS-142004	1/4-20	1/2	1/4	11/16	15/16
PTS-142005	1/4-20	1/2	1/4	3/4	1

Custom modified products are available.

PUSH TYPE THUMB SCREWS

American Standard

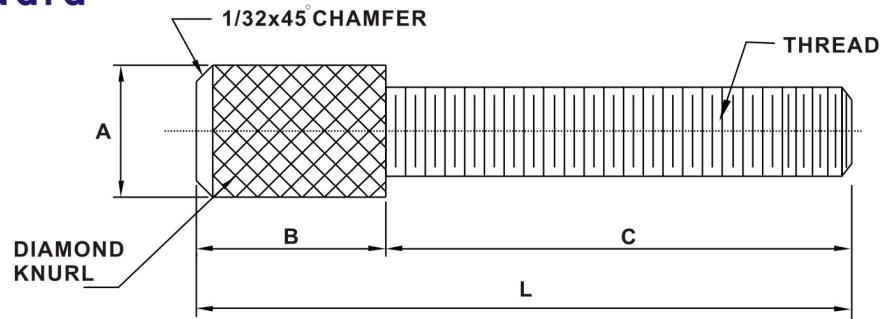


Part No.	Thread Size	A	B	C	L
		+ .020 - .000	+ .015 - .015	+ .010 - .010	+ .015 - .015
PTTS-63201	6-32	3/16	3/8	5/8	1
PTTS-63202	6-32	3/16	3/8	3/4	1-1/8
PTTS-63203	6-32	3/16	3/8	7/8	1-1/4
PTTS-63204	6-32	3/16	3/8	1	1-3/8
PTTS-63205	6-32	3/16	3/8	1-1/8	1-1/2
PTTS-63206	6-32	3/16	3/8	1-1/4	1-5/8
PTTS-63207	6-32	3/16	3/8	1-3/8	1-3/4
PTTS-63208	6-32	3/16	3/8	1-1/2	1-7/8
PTTS-63209	6-32	3/16	3/8	1-5/8	2
PTTS-63210	6-32	3/16	3/8	1-3/4	2-1/8
PTTS-63211	6-32	3/16	3/8	1-7/8	2-1/4
PTTS-63212	6-32	3/16	3/8	2	2-3/8
PTTS-83201	8-32	3/16	3/8	5/8	1
PTTS-83202	8-32	3/16	3/8	3/4	1-1/8
PTTS-83203	8-32	3/16	3/8	7/8	1-1/4
PTTS-83204	8-32	3/16	3/8	1	1-3/8
PTTS-83205	8-32	3/16	3/8	1-1/8	1-1/2
PTTS-83206	8-32	3/16	3/8	1-1/4	1-5/8
PTTS-83207	8-32	3/16	3/8	1-3/8	1-3/4
PTTS-83208	8-32	3/16	3/8	1-1/2	1-7/8
PTTS-83209	8-32	3/16	3/8	1-5/8	2
PTTS-83210	8-32	3/16	3/8	1-3/4	2-1/8
PTTS-83211	8-32	3/16	3/8	1-7/8	2-1/4
PTTS-83212	8-32	3/16	3/8	2	2-3/8
PTTS-102401	10-24	1/4	1/2	5/8	1-1/8
PTTS-102402	10-24	1/4	1/2	3/4	1-1/4
PTTS-102403	10-24	1/4	1/2	7/8	1-3/8
PTTS-102404	10-24	1/4	1/2	1	1-1/2
PTTS-102405	10-24	1/4	1/2	1-1/8	1-5/8
PTTS-102406	10-24	1/4	1/2	1-1/4	1-3/4
PTTS-102407	10-24	1/4	1/2	1-3/8	1-7/8
PTTS-102408	10-24	1/4	1/2	1-1/2	2
PTTS-102409	10-24	1/4	1/2	1-5/8	2-1/8
PTTS-102410	10-24	1/4	1/2	1-3/4	2-1/4
PTTS-102411	10-24	1/4	1/2	1-7/8	2-3/8
PTTS-102412	10-24	1/4	1/2	2	2-1/2

Custom modified products are available.

PUSH TYPE THUMB SCREWS

American Standard



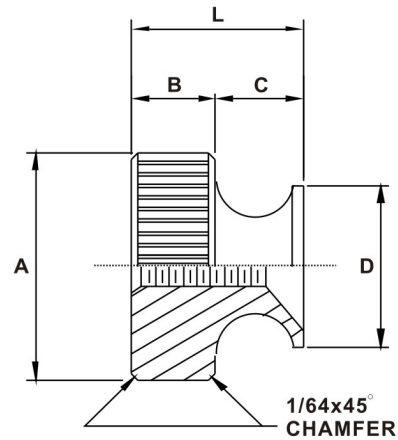
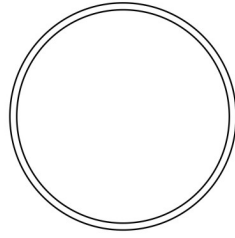
Part No.	Thread Size	A	B	C	L
		+ .020 - .000	+ .015 - .015	+ .010 - .010	+ .015 - .015
PTTS-103201	10-32	1/4	1/2	5/8	1-1/8
PTTS-103202	10-32	1/4	1/2	3/4	1-1/4
PTTS-103203	10-32	1/4	1/2	7/8	1-3/8
PTTS-103204	10-32	1/4	1/2	1	1-1/2
PTTS-103205	10-32	1/4	1/2	1-1/8	1-5/8
PTTS-103206	10-32	1/4	1/2	1-1/4	1-3/4
PTTS-103207	10-32	1/4	1/2	1-3/8	1-7/8
PTTS-103208	10-32	1/4	1/2	1-1/2	2
PTTS-103209	10-32	1/4	1/2	1-5/8	2-1/8
PTTS-103210	10-32	1/4	1/2	1-3/4	2-1/4
PTTS-103211	10-32	1/4	1/2	1-7/8	2-3/8
PTTS-103212	10-32	1/4	1/2	2	2-1/2
PTTS-142001	1/4-20	5/16	1/2	5/8	1-1/8
PTTS-142002	1/4-20	5/16	1/2	3/4	1-1/4
PTTS-142003	1/4-20	5/16	1/2	7/8	1-3/8
PTTS-142004	1/4-20	5/16	1/2	1	1-1/2
PTTS-142005	1/4-20	5/16	1/2	1-1/8	1-5/8
PTTS-142006	1/4-20	5/16	1/2	1-1/4	1-3/4
PTTS-142007	1/4-20	5/16	1/2	1-3/8	1-7/8
PTTS-142008	1/4-20	5/16	1/2	1-1/2	2
PTTS-142009	1/4-20	5/16	1/2	1-5/8	2-1/8
PTTS-142010	1/4-20	5/16	1/2	1-3/4	2-1/4
PTTS-142011	1/4-20	5/16	1/2	1-7/8	2-3/8
PTTS-142012	1/4-20	5/16	1/2	2	2-1/2

Custom modified products are available.

ROUND THUMB NUTS

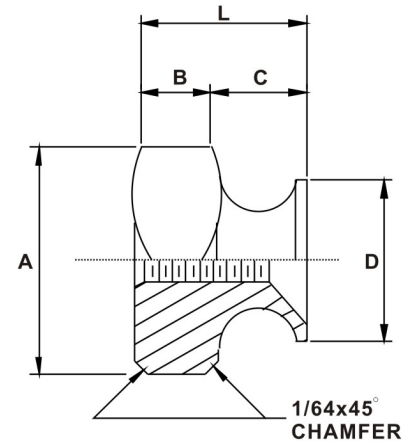
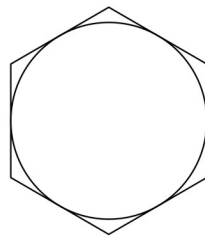
HEX THUMB NUTS

American Standard



ROUND

Part No.	Thread Size	A	B	C	D	L
		+ .020 - .000	+ .015 - .015	+ .010 - .010	+ .030 - .030	+ .010 - .010
TN-R-25601	2-56	1/4	1/8	1/8	3/16	1/4
TN-R-44001	4-40	5/16	1/8	1/8	1/4	1/4
TN-R-63201	6-32	3/8	1/8	5/32	11/32	9/32
TN-R-83201	8-32	7/16	1/8	5/32	3/8	9/32
TN-R-102401	10-24	1/2	5/32	3/16	13/32	11/32
TN-R-103201	10-32	1/2	5/32	3/16	13/32	11/32
TN-R-142001	1/4-20	9/16	5/32	7/32	15/32	3/8
TN-R-5161801	5/16-18	5/8	3/16	7/32	17/32	13/32
TN-R-381601	3/8-16	3/4	7/32	1/4	5/8	15/32



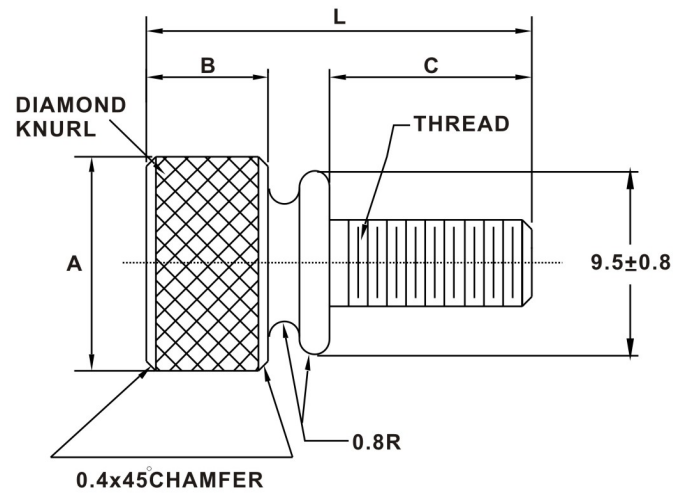
Hex

Part No.	Thread Size	A	B	C	D	L
		Hex	+ .015 - .015	+ .010 - .010	+ .030 - .030	+ .015 - .015
TN-H-25601	2-56	1/4	1/8	1/8	3/16	1/4
TN-H-44001	4-40	5/16	1/8	1/8	1/4	1/4
TN-H-63201	6-32	3/8	1/8	5/32	11/32	9/32
TN-H-83201	8-32	7/16	1/8	5/32	3/8	9/32
TN-H-102401	10-24	1/2	5/32	3/16	13/32	11/32
TN-H-103201	10-32	1/2	5/32	3/16	13/32	11/32
TN-H-142001	1/4-20	9/16	5/32	7/32	15/32	3/8
TN-H-5161801	5/16-18	5/8	3/16	7/32	17/32	13/32
TN-H-381601	3/8-16	3/4	7/32	1/4	5/8	15/32

Custom modified products are available.

WASHER FACE THUMB SCREW

Metric Standard

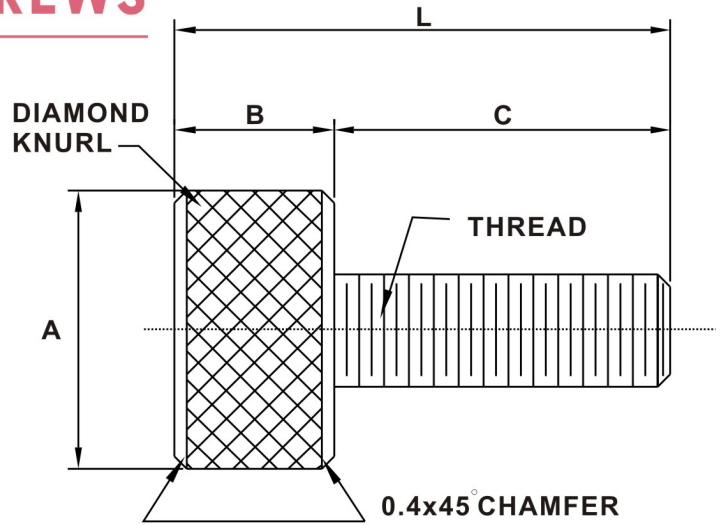


Part No.	Thread Size	A	B	C	L
		+0.50 -0.00	+0.50 -0.50	+0.50 -0.50	+0.50 -0.50
WFTS-M301	M3x0.5	10	5	8	16
WFTS-M302	M3x0.5	10	5	9	17
WFTS-M303	M3x0.5	10	5	11	19
WFTS-M3.501	M3.5x0.6	10	5	9	17
WFTS-M3.502	M3.5x0.6	10	5	11	19
WFTS-M3.503	M3.5x0.6	10	5	13	21
WFTS-M401	M4x0.7	11	5	9	17
WFTS-M402	M4x0.7	11	5	13	21
WFTS-M403	M4x0.7	11	5	16	24
WFTS-M501	M5x0.8	11	5	9	17
WFTS-M502	M5x0.8	11	5	13	21
WFTS-M503	M5x0.8	11	5	16	24
WFTS-M601	M6x1.0	13	6	9	18
WFTS-M602	M6x1.0	13	6	13	22
WFTS-M603	M6x1.0	13	6	16	25
WFTS-M604	M6x1.0	13	6	19	28

Custom modified products are available.

PLAIN THUMB SCREWS

Metric Standard

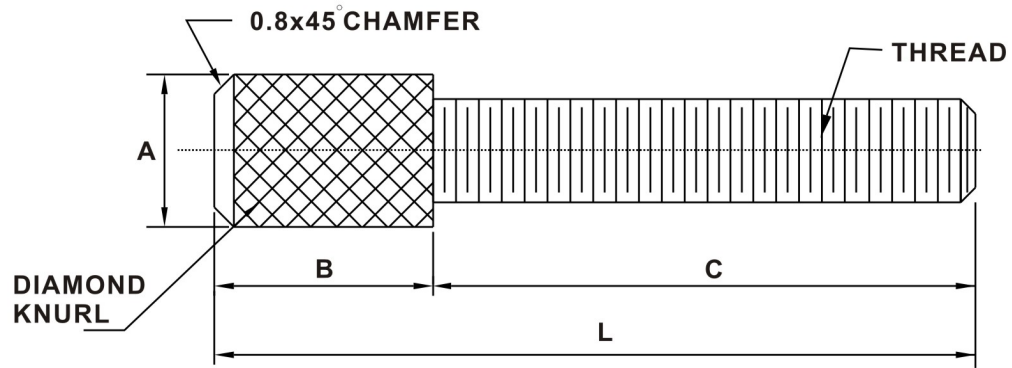


Part No.	Thread Size	A	B	C	L
		+0.50 -0.00	+0.50 -0.50	+0.50 -0.50	+0.50 -0.50
PTS-M301	M3x0.5	8	5	8	13
PTS-M302	M3x0.5	8	5	9	14
PTS-M303	M3x0.5	8	5	11	16
PTS-M304	M3x0.5	8	5	13	18
PTS-M3.501	M3.5x0.6	8	5	8	13
PTS-M3.502	M3.5x0.6	8	5	9	14
PTS-M3.503	M3.5x0.6	8	5	11	16
PTS-M3.504	M3.5x0.6	8	5	13	18
PTS-M401	M4x0.7	10	5	9	14
PTS-M402	M4x0.7	10	5	11	16
PTS-M403	M4x0.7	10	5	13	18
PTS-M404	M4x0.7	10	5	14	19
PTS-M405	M4x0.7	10	5	16	21
PTS-M501	M5x0.8	11	5	9	14
PTS-M502	M5x0.8	11	5	11	16
PTS-M503	M5x0.8	11	5	13	18
PTS-M504	M5x0.8	11	5	14	19
PTS-M505	M5x0.8	11	5	16	21
PTS-M601	M6x1.0	13	6	13	19
PTS-M602	M6x1.0	13	6	14	21
PTS-M603	M6x1.0	13	6	16	22
PTS-M604	M6x1.0	13	6	18	24
PTS-M605	M6x1.0	13	6	19	25

Custom modified products are available.

PUSH TYPE THUMB SCREWS

Metric Standard

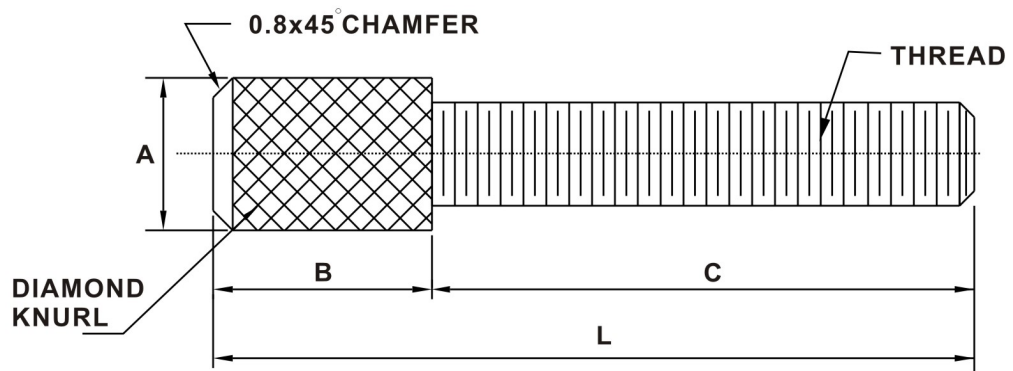


Part No.	Thread Size	A	B	C	L
		+0.50 -0.50	+0.50 -0.50	+0.50 -0.50	+0.50 -0.50
PTTS-M3.501	M3.5x0.6	4.5	9	16	25
PTTS-M3.502	M3.5x0.6	4.5	9	19	28
PTTS-M3.503	M3.5x0.6	4.5	9	22	31
PTTS-M3.504	M3.5x0.6	4.5	9	25	34
PTTS-M3.505	M3.5x0.6	4.5	9	28	37
PTTS-M3.506	M3.5x0.6	4.5	9	31	40
PTTS-M3.507	M3.5x0.6	4.5	9	34	43
PTTS-M3.508	M3.5x0.6	4.5	9	37	46
PTTS-M3.509	M3.5x0.6	4.5	9	40	49
PTTS-M3.510	M3.5x0.6	4.5	9	43	52
PTTS-M3.511	M3.5x0.6	4.5	9	46	55
PTTS-M3.512	M3.5x0.6	4.5	9	49	58
PTTS-M401	M4x0.7	4.5	9	16	25
PTTS-M402	M4x0.7	4.5	9	19	28
PTTS-M403	M4x0.7	4.5	9	22	31
PTTS-M404	M4x0.7	4.5	9	25	34
PTTS-M405	M4x0.7	4.5	9	28	37
PTTS-M406	M4x0.7	4.5	9	31	40
PTTS-M407	M4x0.7	4.5	9	34	43
PTTS-M408	M4x0.7	4.5	9	37	46
PTTS-M409	M4x0.7	4.5	9	40	49
PTTS-M410	M4x0.7	4.5	9	43	52
PTTS-M411	M4x0.7	4.5	9	46	55
PTTS-M412	M4x0.7	4.5	9	49	58

Custom modified products are available.

PUSH TYPE THUMB SCREWS

Metric Standard



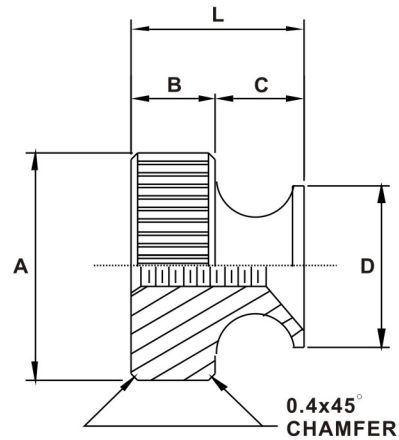
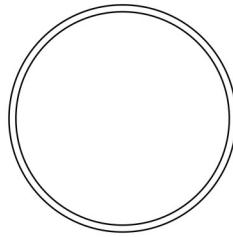
Part No.	Thread Size	A	B	C	L
		+0.50 -0.50	+0.50 -0.50	+0.50 -0.50	+0.50 -0.50
PTTS-M501	M5x0.8	6.5	13	16	25
PTTS-M502	M5x0.8	6.5	13	19	28
PTTS-M503	M5x0.8	6.5	13	22	31
PTTS-M504	M5x0.8	6.5	13	25	34
PTTS-M505	M5x0.8	6.5	13	28	37
PTTS-M506	M5x0.8	6.5	13	31	40
PTTS-M507	M5x0.8	6.5	13	34	43
PTTS-M508	M5x0.8	6.5	13	37	46
PTTS-M509	M5x0.8	6.5	13	40	49
PTTS-M510	M5x0.8	6.5	13	43	52
PTTS-M511	M5x0.8	6.5	13	46	55
PTTS-M512	M5x0.8	6.5	13	49	58
PTTS-M601	M6x1.0	8	13	16	25
PTTS-M602	M6x1.0	8	13	19	28
PTTS-M603	M6x1.0	8	13	22	31
PTTS-M604	M6x1.0	8	13	25	34
PTTS-M605	M6x1.0	8	13	28	37
PTTS-M606	M6x1.0	8	13	31	40
PTTS-M607	M6x1.0	8	13	34	43
PTTS-M608	M6x1.0	8	13	37	46
PTTS-M609	M6x1.0	8	13	40	49
PTTS-M610	M6x1.0	8	13	43	52
PTTS-M611	M6x1.0	8	13	46	55
PTTS-M612	M6x1.0	8	13	49	58

Custom modified products are available.

ROUND THUMB NUTS

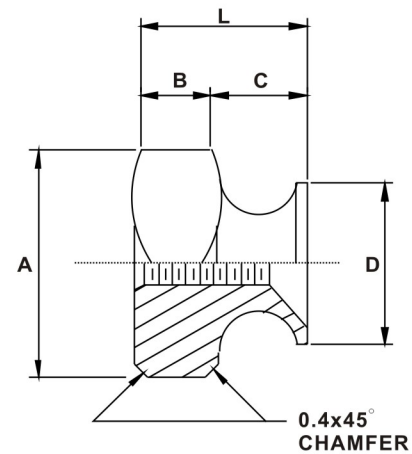
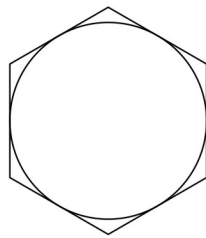
HEX THUMB NUTS

Metric Standard



ROUND

Part No.	Thread Size	A	B	C	D	L
		+0.50 -0.00	+0.50 -0.50	+0.50 -0.50	+0.50 -0.50	Ref.
TN-R-M2.501	M2.5x0.4	6	3	3	5	6
TN-R-M301	M3x0.5	8	3	3	6	6
TN-R-M3.501	M3.5x0.6	10	3	4	9	7
TN-R-M401	M4x0.7	10	3	4	9	7
TN-R-M501	M5x0.8	13	4	5	11	9
TN-R-M601	M6x1.0	13	4	5	12	9
TN-R-M801	M8x1.25	19	6	6	16	12



Hex

Part No.	Thread Size	A	B	C	D	L
		Hex	+0.50 -0.50	+0.50 -0.50	+0.50 -0.50	Ref.
TN-H-M2.501	M2.5x0.4	6	3	3	5	6
TN-H-M301	M3x0.5	8	3	3	6	6
TN-H-M3.501	M3.5x0.6	10	3	4	9	7
TN-H-M401	M4x0.7	10	3	4	9	7
TN-H-M501	M5x0.8	13	4	5	11	9
TN-H-M601	M6x1.0	13	4	5	12	9
TN-H-M801	M8x1.25	19	6	6	16	12

Custom modified products are available.